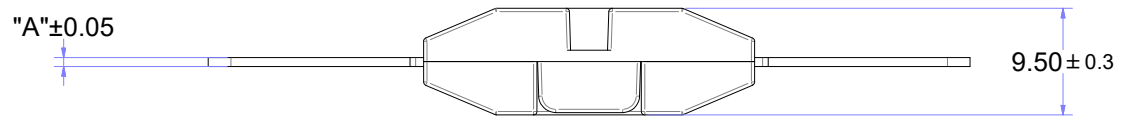
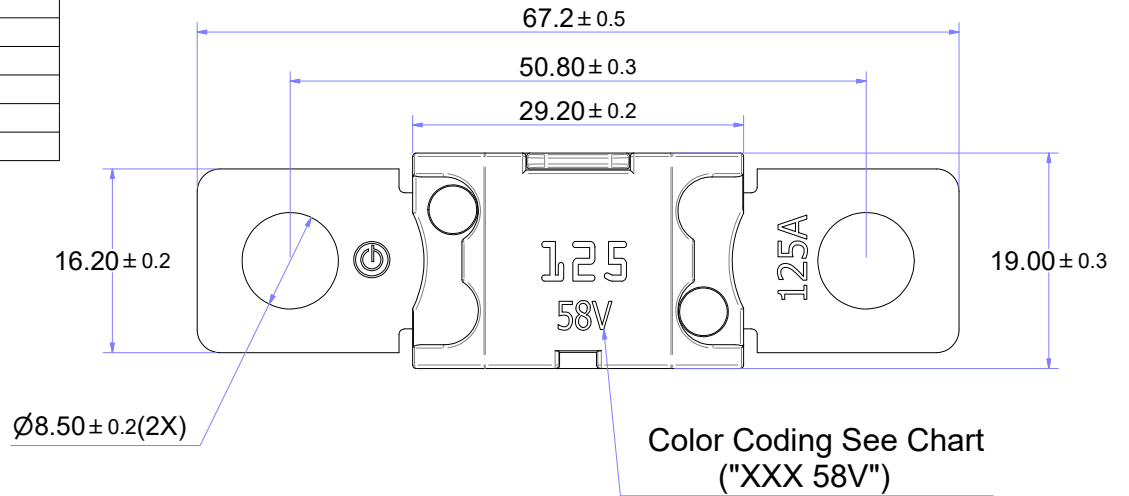
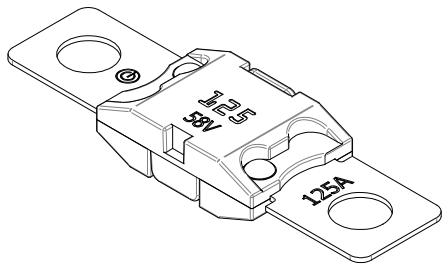


Part Number	Rated Current(A)	Color Code	Thickness DIM"A" mm	Voltage Drop(mV)
AFM58-80A	80	Red	0.8	140
AFM58-100A	100	Yellow	0.8	140
AFM58-125A	125	Green	0.8	130
AFM58-150A	150	Orange	0.8	110
AFM58-175A	175	White	0.8	110
AFM58-200A	200	Blue	0.8	110
AFM58-225A	225	Tan	1.0	110
AFM58-250A	250	Pink	1.0	110
AFM58-300A	300	Grey	1.0	80
AFM58-325A	325	Fuchsia	1.0	80
AFM58-350A	350	Dark Green	1.0	80
AFM58-400A	400	Violet	1.0	80



**Notes:**

1. Rated Voltage : 58V DC
2. Breaking Capacity : 1000A @ 58V DC
3. Ambient Temperature: -40°C ~ +125 °C
4. Fuse Mounting: M8 Threaded Stud And Hex Nuts  
Recommended Torque: 12 ± 1.0 Nm
5. Housing Material : HTN-GF30 (UL94-V0) / Color:Black
6. Terminal Material: Copper Alloy (Tin plated)
7. RoHS Compliant

**Electrical Characteristics Test  
According to ISO 8820-5**

% Of Rated Current	80A~250A	300A~325A	350A~400A
75%	-----	min. 14400 s	min. 14400 s
100%	min. 14400 s	-----	-----
135%	120 ~ 1800 s	-----	-----
200%	1 ~ 15 s	1 ~ 15 s	1 ~ 15 s
350%	0.3 ~ 5 s	0.5 ~ 5 s	0.5 ~ 5 s
600%	0.1 ~ 1 s	0.1 ~ 1 s	-----

UNLESS OTHERWISE SPECIFIED DIMENSIONS ARE IN mm TOLERANCE DECIMALS ANGULAR X±0.5 XX±0.25 ±2°		CUSTOMER NO.	JENN FENG ELECTRIC INDUSTRIAL CO., LTD.
		DRAWN BY Tim	
DO NOT SCALE DRAWING THIRD ANGLE PROJECTION 		CHECKED BY	Bolt-In Fuse (Fuse-link type SF 51)
		APPROVED BY <span style="border: 1px solid red; padding: 2px;">林進有</span>	
P/N	DATE 2023/10/12	SCALE	AFM58 Series
REV C			DRAWING NO. BA23013101